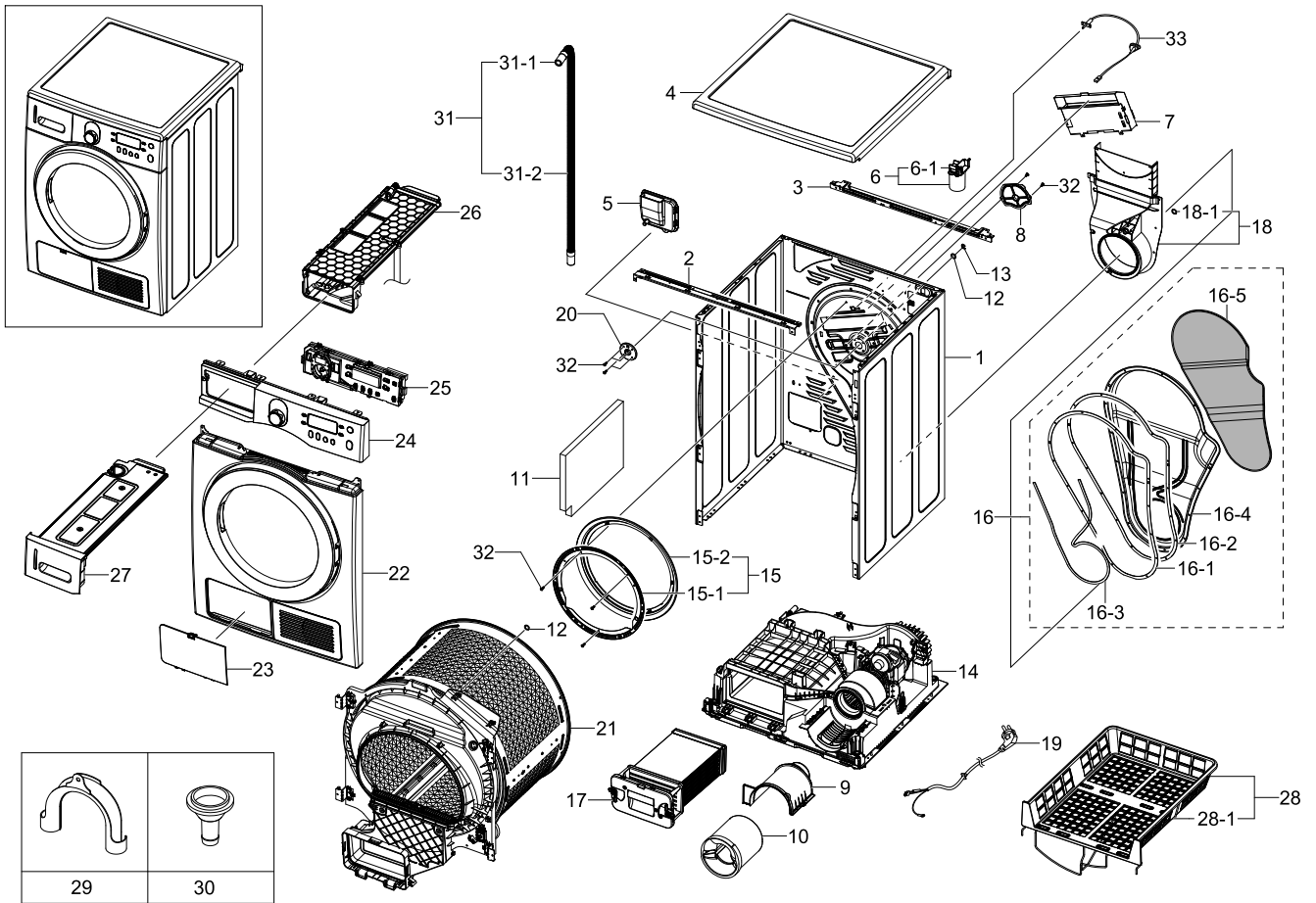


1. Main

Exploded View



Parts List

No.	Lvl.	Loc.	Material Code	Description & Specification	SNA	Qty.
1	2	WF0067	DC61-02489A	FRAME; SDC18809,GI-SGCC,WHT,T0.7,W598/D52	SNA	1
2	2	WF0088	DC61-02261A	FRAME-PLATE(U); DCVH480EK0WW,GI-SGCC,T1.2	SA	1
3	2	WP0070	DC61-02267B	BRACKET-COVER TOP; SDC18809,GI-SGCC,T1.0,	SA	1
4	2	WF0003	DC97-16514T	ASSY COVER TOP; D100,SDC18809,WHT	SA	1
5	2	WI0383	DC61-02609A	GUIDE-HOSE DRAIN; SDC18809,PP,T2.0,W116.7	SA	1
6	2	WY0003	DC93-00157A	ASSY CONDENSER; 450VAC 8MFD,SDC18809	SA	1
6-1	3		2501-001339	C-OIL; 8.0uF,-25 to 80,BK,450V,5%,40x55,T	SNA	1
7	2	WE0095	DC47-00030C	HEATER-DRY; 119283,D100,CrAl,2500W,7.6A,3	SA	1
8	2	WS0141	DC63-01263A	COVER-BEARING; SDC18809,EGI-SECC,T0.8,W10	SA	1
9	2	WI0388	DC63-01089A	COVER-FAN(C/F); SDC18809,PP,W174,L162,NTR	SA	1

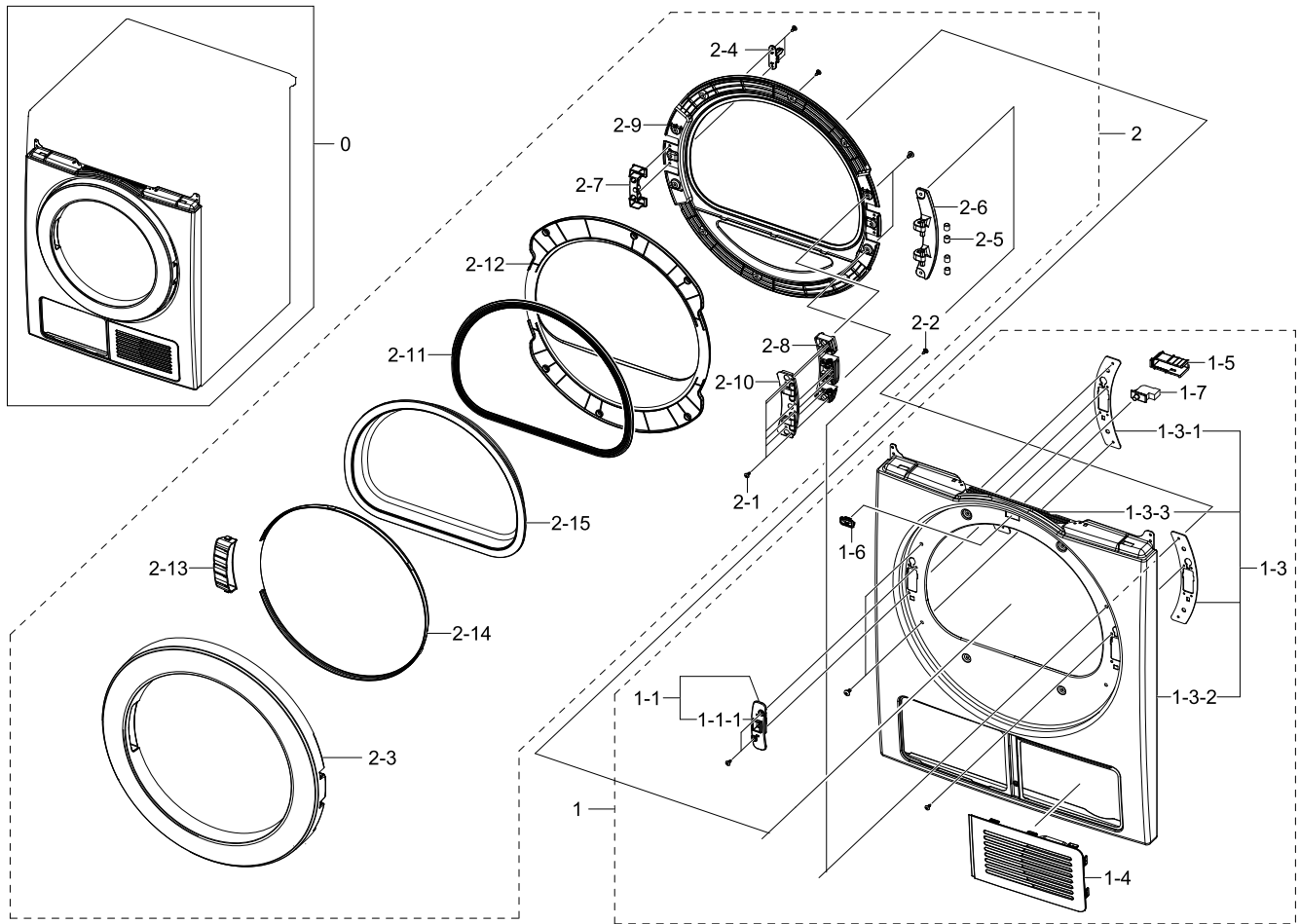
Exploded Views and Parts List

No.	Lvl.	Loc.	Material Code	Description & Specification	SNA	Qty.
10	2	WA0001	DC63-01339A	ABSORBER-SOUND; SDC18809,EPS,L150.5,D145.	SNA	1
11	2	WI0384	DC63-01158A	ABSORBER-SOUND(F); SDC18809,PU-FOAM,T20,W	SA	1
12	2	WJ0083	6031-002038	WASHER-PLAIN; NYLON,ID12,OD17,T1.0,NTR	SA	2
13	2	WX0623	6044-001784	RING-C; ID11.1,STW-12,T1.0,BLK,STC5	SA	1
14	2	WB0001	DC90-02691A	ASSY BASE; D100-PJT,SDC-18809	SNA	1
15	2	WJ0091	DC93-00072A	ASSY GASKET FELT; GE24-DRYER,DCVH480EK,-,	SA	1
15-1	3	WJ0093	DC61-02263A	BRACKET-GASKET FELT; DCVH480EK0WW,STAINLE	SA	1
15-2	3	WJ0110	DC93-00093A	ASSY GASKET FELT-SUB; GE24-DRYER,DCVH480E	SA	1
16	2	WY0097	DC93-00103A	ASSY COVER DUCT; D100 PJT,SDC18809	SA	1
16-1	3	WE0147	DC62-00288A	SEAL-COVER DUCT(F); SDC18809,CR,BLK,T2.0,	SA	2
16-2	3	WE0147	DC62-00288B	SEAL-COVER DUCT(F); SDC18809,CR,BLK,T3.0,	SA	1
16-3	3	WE0148	DC62-00289A	SEAL-COVER DUCT(G); SDC18809,CR,BLK,T3.0,	SA	3
16-4	3	WY0103	DC63-01100A	COVER-DUCT; SDC-18809,GI-SGCC,T0.6,W486,L	SA	1
16-5	3	WP0174	DC72-00080A	ABSORBER SPONGE; SDC18809,PE-FOAM,T3.0,W3	SA	1
17	2	WY0003	DC93-00115A	ASSY CONDENSER; D100,SDC-18809	SA	1
18	2	WI5050	DC93-00135A	ASSY GUIDE DUCT FAN; D100 PJT,SDC18809,PP	SA	1
18-1	3		DC62-00331A	SEAL-GUIDE DUCT; SDC18809,EPDM,BLK,T10.0,	SA	1
19	2	WE0016	DC96-00146B	ASSY POWER CORD; VDE,UCP2,250V16A,H05VV-F	SA	1
20	2	WS0009	DC97-16288A	ASSY HOUSING BEARING; D100-PJT,SDC18809,8	SA	1
21	2	WG0007	DC97-15812A	ASSY DRUM WRAPPER; D100-PJT,SDC-18809,591	SA	1
22	2	WF0009	DC97-16861D	ASSY FRONT; D150PJT,SDC3C801/XEF,WHT FRAM	SA	1
23	2	WI0387	DC63-01081A	COVER-CONDENSER(F); SDC18809,ABS,W245,L15	SNA	1
24	2	WC0016	DC97-16866A	ASSY PANEL CONTROL; D150- PJT,SDC3C801/XE	SA	1
25	2	WZ0010	DC92-00272A	ASSY PCB MAIN; D100,D100 BEST,230V/50Hz	SA	1
26	2	WR0008	DC97-15938A	ASSY HOUSING DRAWER; D100 PJT,SDC18809,PP	SA	1
27	2	WR0005	DC97-15763A	ASSY DRAWER; D100-PJT,SDC18809	SA	1

No.	Lvl.	Loc.	Material Code	Description & Specification	SNA	Qty.
28	2		DC93-00134A	ASSY DIE RACK DRY; D100 PJT,SDC18809,PP+M	SA	1
28-1	3	WA0021	DC61-02472A	DIE-RACK DRY; SDC18809,PP,L404,W319.5,GRY	SA	1
29	2	WH5379	DC62-10278A	HOSE-HANGER; PUMP MODEL,PP,BLACK	SA	1
30	2		DC61-02479A	GUIDE-HOSE; SDC18809,PP,T1.5,L34.5,NTR,D1	SA	1
31	2	WH0023	DC97-15757C	ASSY HOSE DRAIN; D100,SDC18809,L1998,ID9.	SA	1
31-1	3		DC61-02469A	BUSH-HOSE; SDC18809,TPE,ID9.6,OD15.5,L32,	SNA	2
31-2	3	WH5188	DC67-00424C	HOSE-DRAIN; SDC18809,PP,ID9.5,OD13,T0.8,L	SNA	1
32	2	WX0419	6002-000239	SCREW-TAPPING; TH,+,NO,2S,M4,L8,ZPC(WHT),	SA	11
33	2	WE5185	DC90-10128P	ASSY THERMISTOR; 5V,-20~170RESISTOR,S	SA	1

2. Assy Frame Front & Door

Exploded View



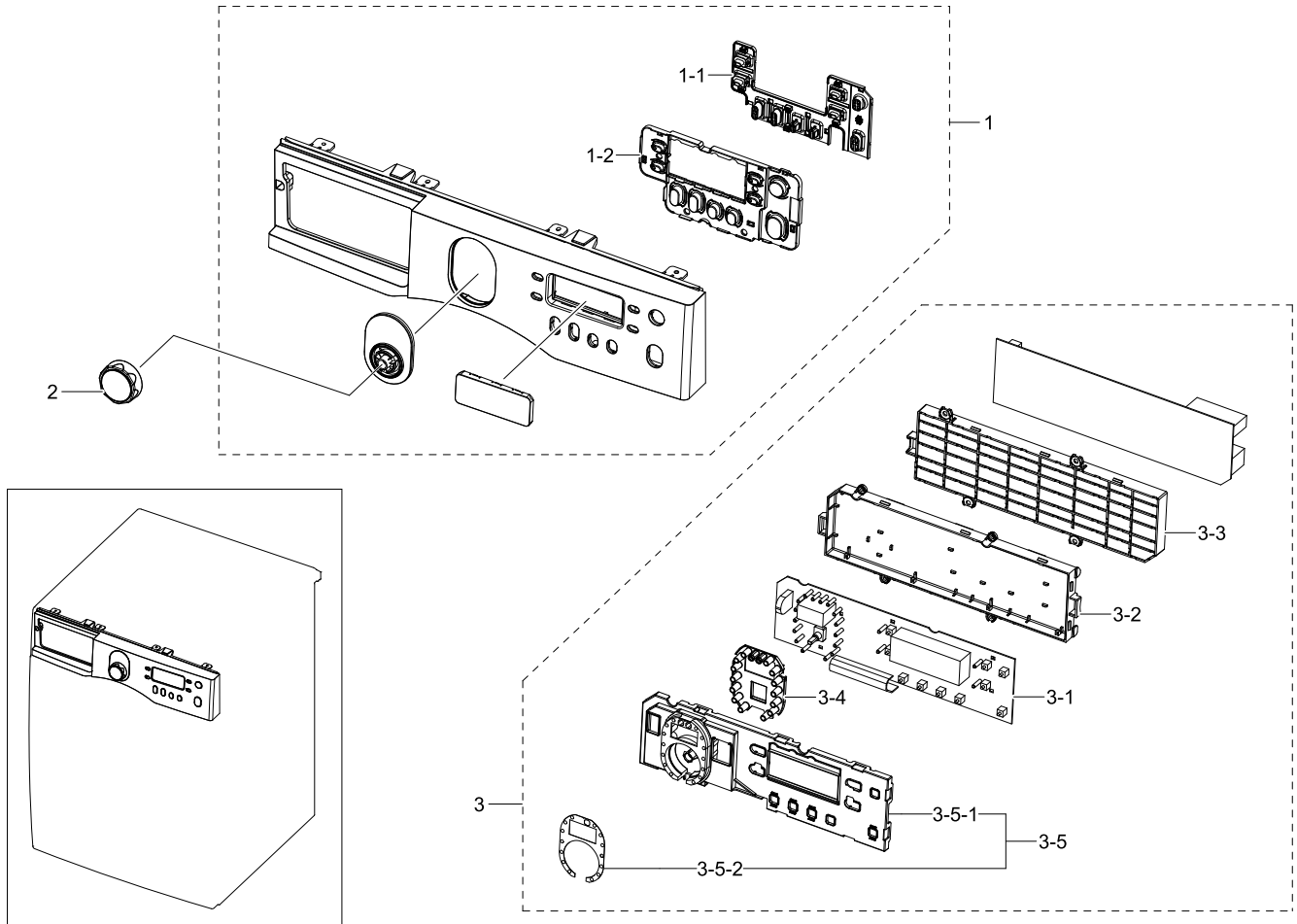
Parts List

No.	Lvl.	Loc.	Material Code	Description & Specification	SNA	Qty.
0	2	WF0009	DC97-16861D	ASSY FRONT; D150PJT,SDC3C801/XEF,WHT FRAM	SA	1
1	3	WF0005	DC97-15759B	ASSY FRAME FRONT; D100 PJT,SDC18809	SNA	1
1-1	4	WD0011	DC97-15505B	ASSY HOLDER LEVER; D100,SDC18809,DARK HOL	SA	1
1-1-1	5	WD0106	DC61-02253B	HOLDER-LEVER; D100,POM,DARK HOLDER GRAY	SA	1
1-3	4	WF0006	DC97-16526A	ASSY FRAME FRONT(S); D100 PJT,SDC18809,WH	SA	1
1-3-1	5	WP0101	DC61-02283A	BRACKET-HINGE; DCVH480EK0WW,HGI,T2.0,W35,	SA	2
1-3-2	5	WF0082	DC61-02464A	FRAME-FRONT; D100_DRYER,EGI-SECC,T0.8,W59	SA	1
1-3-3	5	WP0095	DC61-01981A	BRACKET-FRAME; WF8804DP,GI-SGCC,T0.8,W20,	SA	1

No.	Lvl.	Loc.	Material Code	Description & Specification	SNA	Qty.
1-4	4	WI0171	DC63-01082A	COVER-FRONT; SDC18809,ABS,W249.4,L152.6,W	SA	1
1-5	4	WE0063	DC63-01098A	COVER-SWITCH; SDC18809,HIPS,T3.0,W63,L34,	SNA	1
1-6	4	WE0175	DC63-01226A	COVER-SWITCH(F); SDC18809,PP,W60.8,L35,GR	SA	1
1-7	4	WE0068	DC64-00828D	DOOR-S/W; PDS020-02 / SPE110F-1D,PA,T13.2	SA	1
2	3	WD0003	DC97-15764C	ASSY DOOR; D100,SDC3C801,CR COVER-DOOR	SA	1
2-1	4	WX0616	6002-000215	SCREW-TAPPING; TH,+,NO,1,M4,L16,ZPC(WHT),	SA	6
2-2	4	WX0420	6002-000241	SCREW-TAPPING; TH,+,-,2S,M5,L12,ZPC(WHT),	SA	1
2-3	4	WD0037	DC63-01086C	COVER-DOOR; SDC3C801,ABS,W480,CR COATING,	SNA	1
2-4	4	WD0114	DC66-00536A	LEVER-DOOR; GE24-DRYER,ZNDC,W52.0,L31.0,C	SA	1
2-5	4	WD0090	DC61-00891A	GUIDE-HINGE; HAUZEN(DOM),POM,-,-,-,WHT,HI	SA	4
2-6	4	WD0096	DC61-02252A	HINGE-DOOR; GE24-DRYER,ALDC,T3.0,W47.1,L2	SA	1
2-7	4	WD0091	DC61-02455A	GUIDE-HOLDER GLASS; SDC18809,PP,W85.5,L33	SA	1
2-8	4	WD0145	DC61-02456A	HOLDER-HINGE; SDC18809,PP,W140,L35,GRY,D1	SA	1
2-9	4	WD0105	DC61-02460A	HOLDER-GLASS; SDC18809,PP,W479.4,GRY,D100	SA	1
2-10	4	WD0134	DC61-02462A	SUPPORT-HINGE; SDC18809,GI-SGCC,T1.4,W143	SA	1
2-11	4	WD0127	DC62-00277A	SEAL-DOOR; SDC18809,TPE,GRY,W8,D100 PJT	SA	1
2-12	4	WD0038	DC63-01080B	COVER-DOOR(I); SDC18809,HIPS,T2.5,W464,BL	SA	1
2-13	4	WD0094	DC64-01998A	HANDLE-DOOR; SDC18809,HIPS,W113.4,L25.8,G	SA	1
2-14	4	WD0079	DC64-02001A	DOOR-SAFETY; SDC18809,PET,T2.8,W375.5,TRP	SA	1
2-15	4	WD0070	DC64-02226A	DOOR-GLASS; SDC18809,GLASS,T5.0,W398,L300	SA	1

3. Assy Panel Control

Exploded View



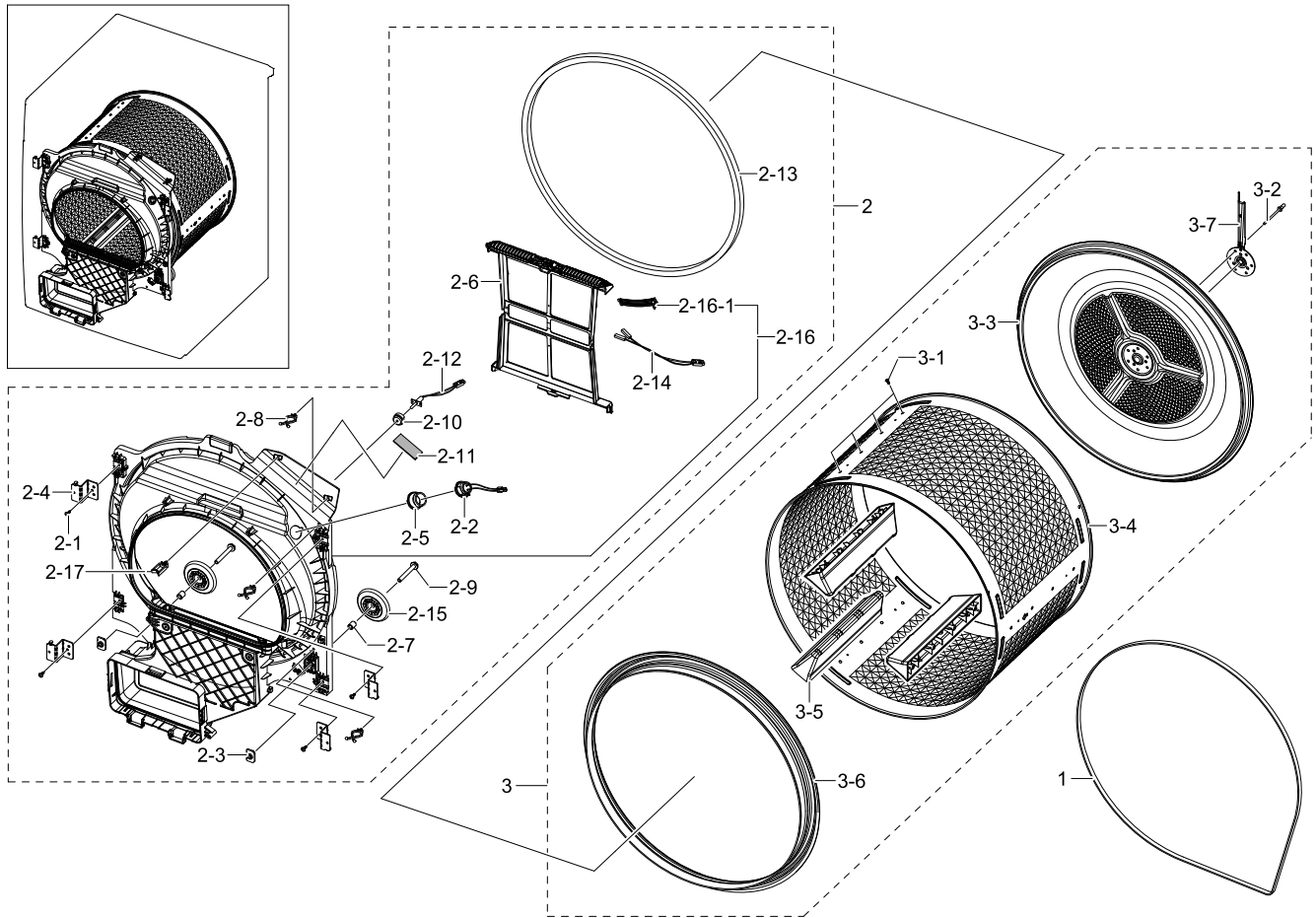
Parts List

No.	Lvl.	Loc.	Material Code	Description & Specification	SNA	Qty.
1	2	WC0016	DC97-16866A	ASSY PANEL CONTROL; D150-PJT,SDC3C801/XE	SA	1
1-1	3	WC0059	DC64-02004A	BUTTON-RUBBER; SDC18809,SILICON,NTR,HARDN	SA	1
1-2	3	WC0053	DC64-02003A	BUTTON-PUSH(F); SDC18809,ABS,DA-WHT,BEST	SA	1
2	2	WC0009	DC97-15723B	ASSY KNOB ENCODER; GRIFFIN-PJT,WF9904RWE,	SA	1
3	2	WZ0010	DC92-00272A	ASSY PCB MAIN; D100,D100 BEST,230V/50Hz	SA	1
3-1	6	WZ0049	DC41-00129A	PCB-MAIN; D100 BEST,FR-1,1,1.0,T1.6,W327*	SNA	1
3-2	4	WI0259	DC61-01941A	GUIDE-PCB(S); HEBA-PJT,ABS,T2.0,NTR,HIGH/	SNA	1
3-3	4	WI0258	DC61-02342B	GUIDE-PCB(M); D100,ABS,T3.0,97.1,335.5,5V	SNA	1
3-4	4	WC0079	DC64-01560A	DECORATION-LED; HEBA-PJT,HIPS,T2.7,NTR	SNA	1

No.	Lvl.	Loc.	Material Code	Description & Specification	SNA	Qty.
3-5	4	WI0016	DC97-14969A	ASSY COVER PCB; HEBA-PJT,HIPS+PET,-,-,-,-	SNA	1
3-5-1	5	WI0198	DC63-00861A	COVER-PCB(S); HEBA-PJT,HIPS,T2.0,-,-,-,-	SNA	1
3-5-2	5	WC0097	DC64-01607A	INLAY-ENCODER; HEBA,PET,T0.188,BLK	SNA	1

4. Assy Drum

Exploded View



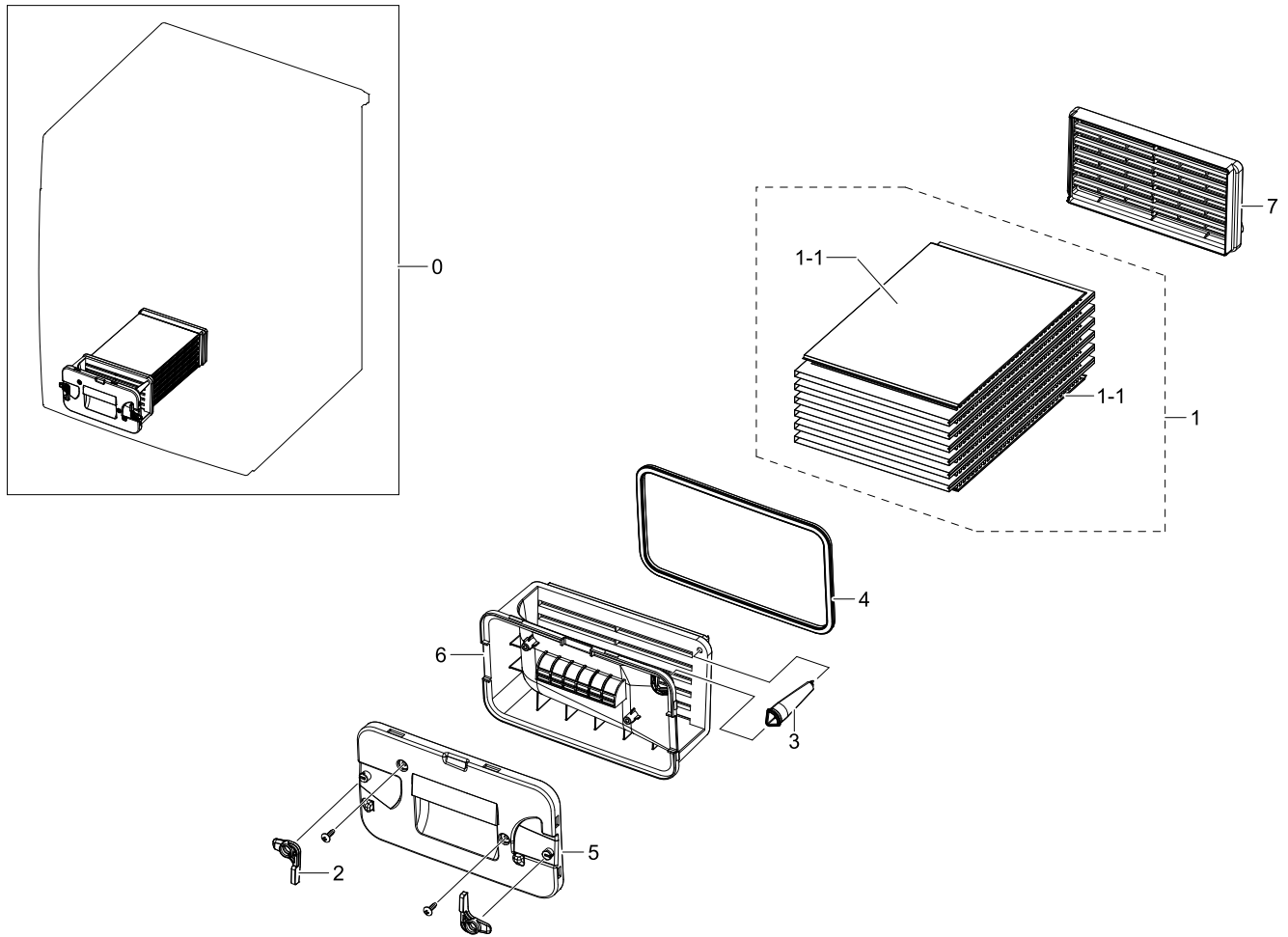
Parts List

No.	Lvl.	Loc.	Material Code	Description & Specification	SNA	Qty.
1	2	WS0060	6602-002024	BELT-TIMING GEAR; 7PH1970,RUBBER,T2.7,L19	SA	1
2	2	WF0125	DC97-15758A	ASSY DRUM FRONT; D100 PJT,SDC18809,T2.5,W	SA	1
2-1	3	WX0622	6002-001306	SCREW-TAPPING; TH,+,1,M4,L14,ZPC(WHT),SWR	SA	4
2-2	3	WE0174	DC47-00027A	LAMP; SW5315E-G,OD6.10.5mm,H8.60.2mm,	SA	1
2-3	3	WP0122	DC61-00201A	BRACKET-NUT; P1291,SBHG-R,T3,NO-PAINT/MOT	SA	2
2-4	3	WP0173	DC61-01236A	BRACKET-DRUM FRONT; WINGS-DRYER,HGI,T2.0,	SA	4
2-5	3	WI0349	DC61-02457A	FIXER-LAMP; D100-DRYER,EPDM,GRAY	SA	1
2-6	3	WI0137	DC61-02473A	CASE-FILTER; SDC18809,PP,GRY	SA	1
2-7	3	WS0063	DC61-02485A	BUSH-BEARING; SDC18809,SWRCH10A,ID8,OD12,	SA	2

No.	Lvl.	Loc.	Material Code	Description & Specification	SNA	Qty.
2-8	3	WI0293	DC61-40086A	HOLDER-WIRE; DAWH-3NB,PA,NTR(PI15)	SA	2
2-9	3	WF0126	DC66-00572A	SHAFT ROLLER; SDC18809,SWRCH10A,L61,OD8,Z	SA	2
2-10	3	WE0115	DC69-01312A	PACKING-THERMISTOR; SDC18809,EPDM,EPDM,ID	SNA	1
2-11	3	WO0062	DC72-00040H	ABSORBER SPONGE; SDC18809,PU-FOAM,T3.0,W5	SA	1
2-12	3	WE5048	DC90-10128G	ASSY THERMISTOR; SEW-745DW,L120,-,-	SA	1
2-13	3	WI0028	DC93-00125A	ASSY GASKET PAD; D100-PJT,SDC18809,PE+WOO	SA	1
2-14	3	WW5193	DC96-00766A	ASSY WIRE HARNESS; -	SA	1
2-15	3	WS0021	DC97-15768A	ASSY ROLLER; D100-PJT,SDC18809	SA	2
2-16	3	WF0127	DC97-15863A	ASSY DRUM FRONT-SUB; D100 PJT,SDC18809,T2	SA	1
2-16-1	4	WE0117	DC61-02359A	PLATE-SENSOR; GE24-DRYER,STAINLESS-ST5430	SA	2
2-17	3	WI0294	DC61-00553B	HOLDER-WIRE SADDLE; PA,NTR,NYLON66	SA	1
3	2	WG0007	DC97-15812A	ASSY DRUM WRAPPER; D100-PJT,SDC-18809,591	SA	1
3-1	3	S0025	6002-000234	SCREW-TAPPING; TH,+,NO,2S,M4,L16,ZPC(WHT)	SNA	12
3-2	3	WJ0072	6041-001043	RIVET-RH; SXXP(00611),STS,OD4.8,L12.5,NTR	SNA	6
3-3	3	WG0053	DC66-00538A	DRUM-BACK; GE24-DRYER,STAINLESS-ST5430,OD	SNA	1
3-4	3	WG0057	DC66-00539A	DRUM-WRAPPER; GE24-DRYER,STAINLESS-ST5430	SNA	1
3-5	3	WG0055	DC66-00541A	DRUM-LIFTER; GE24-DRYER,PP,T3.0,FC2210,GR	SA	3
3-6	3	WG0054	DC66-00600A	DRUM-FRONT; D100-DRYER,STAINLESS-ST5430,O	SNA	1
3-7	3	WS0006	DC97-15817A	ASSY FLANGE SHAFT; D100-PJT,SDC-18809	SA	1

5. Assy Condenser

Exploded View



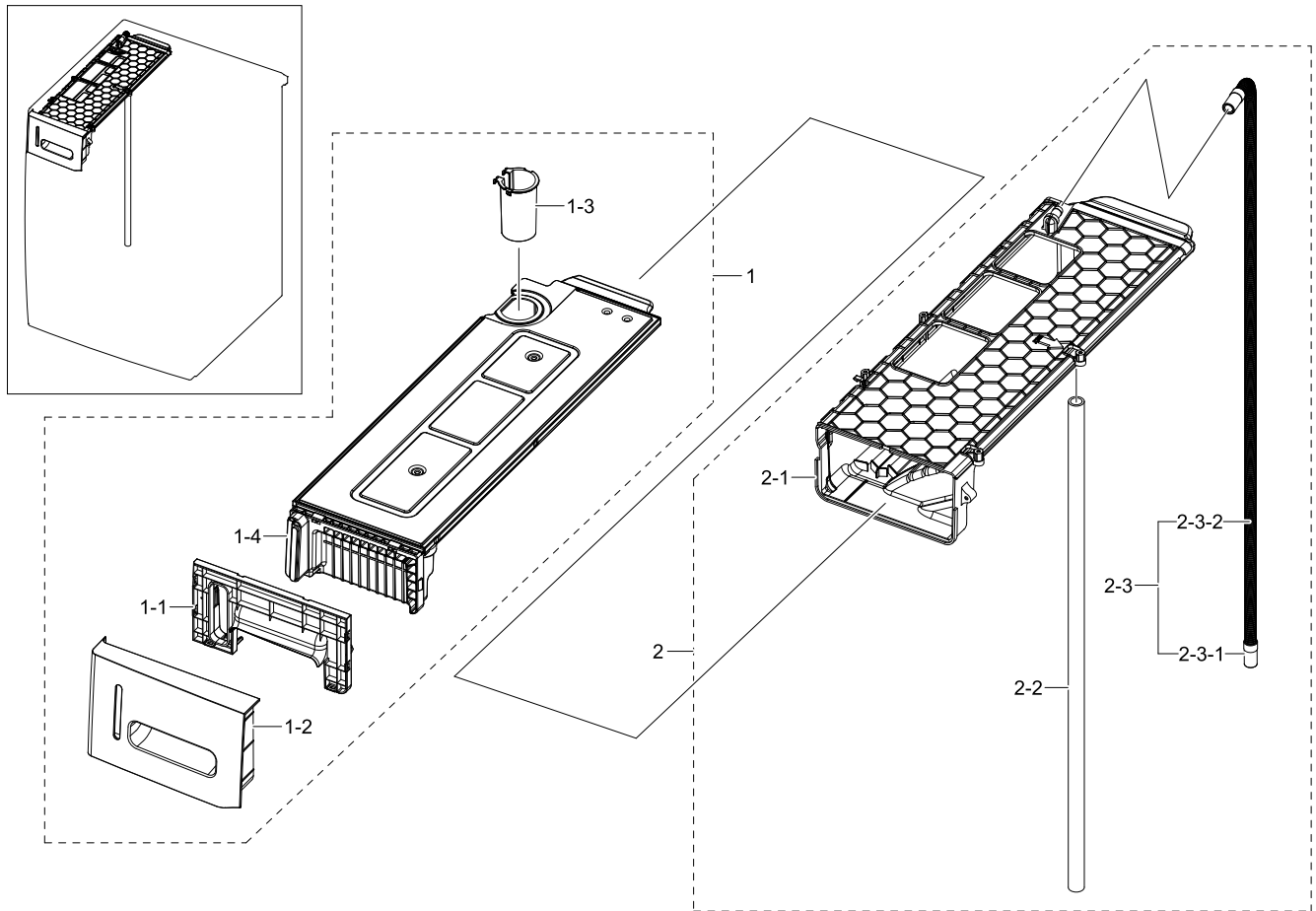
Parts List

No.	Lvl.	Loc.	Material Code	Description & Specification	SNA	Qty.
0	2	WY0003	DC93-00115A	ASSY CONDENSER; D100,SDC-18809	SA	1
1	3		DC93-00166A	ASSY CONDENSER-SUB; D100-PJT,SDC-18809,AL	SNA	1
1-1	4		DC61-02493A	PLATE-CONDENSER; SDC-18809,AL,T0.4,W247,L	SNA	2
2	3		DC61-02463A	FIXER-CONDENSER; SDC18809,PP,SKY BLUE,D10	SNA	2
3	3		DC61-02494A	GUIDE-CONDENSER(M); SDC-18809,PP,T2.0,L76	SNA	1
4	3	WY0112	DC62-00280A	SEAL-CONDENSER; SDC18809,TPE,GRY,W5,L642,	SA	1
5	3		DC63-01085A	COVER-CONDENSER; SDC18809,PP,W225.7,L135.	SNA	1

No.	Lvl.	Loc.	Material Code	Description & Specification	SNA	Qty.
6	3		DC63-01094A	COVER-CONDENSER(M); SDC18809,PP,W221,L116	SNA	1
7	3		DC63-01099A	COVER-CONDENSER(B); SDC18809,PP,W190,L99,	SNA	1

6. Assy Drawer&Housing Drawer

Exploded View



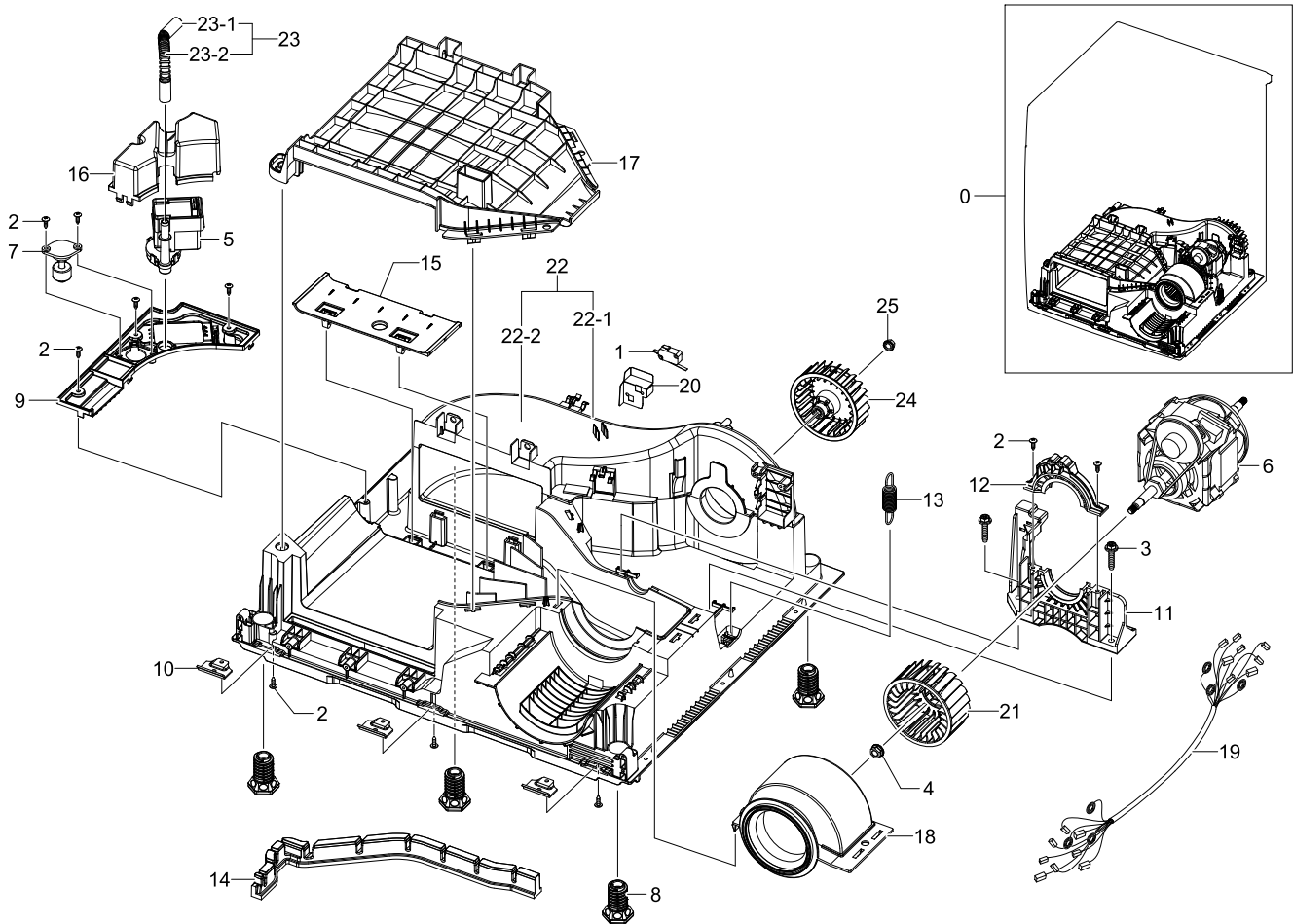
Parts List

No.	Lvl.	Loc.	Material Code	Description & Specification	SNA	Qty.
1	2	WR0005	DC97-15763A	ASSY DRAWER; D100-PJT,SDC18809	SA	1
1-1	3	WR0038	DC64-02006A	HANDLE-DRAWER; SDC16809,HIPS,W202.5,L108,	SA	1
1-2	3	WC0123	DC64-02007A	PANEL-DRAWER; SDC18809,ABS,W208.7,L135.5,	SA	1
1-3	3	WI0341	DC67-00428A	CAP-TANK WATER; SDC18809,PP,SKY BLUE	SA	1
1-4	3		DC97-15927A	ASSY DRAWER-SUB; D100 PJT,SDC18809,PP,H89	SNA	1
2	2	WR0008	DC97-15938A	ASSY HOUSING DRAWER; D100 PJT,SDC18809,PP	SA	1
2-1	3	WR0049	DC61-02476A	HOUSING-DRAWER; SDC18809,PP,NTR	SA	1
2-2	3	WH5376	DC67-00429A	HOSE-WATER; SDC18809,EPDM,ID13.0,OD18.0,T	SA	1
2-3	3	WH0023	DC97-15757A	ASSY HOSE DRAIN; D100,SDC18809,L748,GRY	SA	1

No.	Lvl.	Loc.	Material Code	Description & Specification	SNA	Qty.
2-3-1	4		DC61-02469A	BUSH-HOSE; SDC18809,TPE,ID9.6,OD15.5,L32,	SNA	2
2-3-2	4	WH5190	DC67-00424A	HOSE-DRAIN; SDC18809,PP,ID9.5,OD13,T0.4,L	SNA	1

7. Assy Base

Exploded View



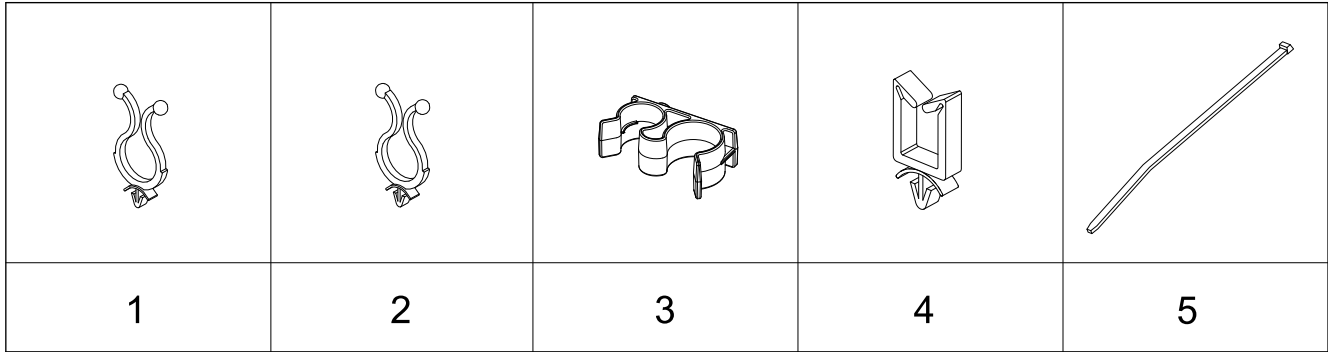
Parts List

No.	Lvl.	Loc.	Material Code	Description & Specification	SNA	Qty.
0	2	WB0001	DC90-02691A	ASSY BASE; D100-PJT,SDC-18809	SNA	1
1	3	WE0136	3405-001077	SWITCH-MICRO; 125V,16A,180gf,2	SA	1
2	3	WX0622	6002-001306	SCREW-TAPPING; TH,+,1,M4,L14,ZPC(WHT),SWR	SA	4
3	3	WX0470	6002-001313	SCREW-HEX; HWH,+,-,M6.5,L25,ZPC(WHT),SWRC	SA	2
4	3	WX0574	6021-001201	NUT-INCH; LEFT TURN,3/8"-24,ZPC(YEL),MSWR	SA	1
5	3	WU5017	DC31-00105A	PUMP-DRAIN; B13-6AA01120,220V-240V,50Hz,4	SA	1
6	3	WS0096	DC31-00106A	MOTOR INDUCTION-DRYER; Dryer motor,Y6S258	SA	1
7	3	WE0176	DC34-00010A	SWITCH FLOAT; FS-3B-02,1,2,POM,Float Swit	SA	1
8	3		DC61-02447B	LEG; D100 DRYER,FRPP,NTR,L49.3	SA	4

No.	Lvl.	Loc.	Material Code	Description & Specification	SNA	Qty.
9	3	WS0137	DC61-02459A	HOLDER-PUMP MOTOR; SDC18809,PP,W259,L145,	SA	1
10	3	WI0389	DC61-02465A	GUIDE-FRAME FRONT; D100_PJT,GI-SGCC,T2.0,	SA	2
11	3	WS0138	DC61-02466A	SUPPORT-MOTOR(L); D100-PJT,PP,T3.0,W169,L	SA	1
12	3	WS0139	DC61-02467A	SUPPORT-MOTOR(U); D100-PJT,PP,T3.0,W111,L	SA	1
13	3	WP0015	DC61-02487A	SPRING ETC-TENSION; SDC18809,HSWR-SWRH,CD	SA	1
14	3	WS0140	DC62-00290A	SEAL-BASE; SDC18809,EPP,NTR,T30,W18.2,L32	SA	1
15	3	WB0038	DC63-01083A	COVER-BASE; SDC18809,PP,W201,L77.4,NTR,D1	SA	1
16	3	WI0203	DC63-01084A	COVER-PUMP; SDC18809,HIPS,W136.5,L108,NTR	SA	1
17	3	WI0390	DC63-01087A	COVER-CONDENSER(U); SDC18809,PP,W272,L351	SA	1
18	3	WI0391	DC63-01090A	COVER-FAN(C); SDC18809,PP,W175,L105.4,NTR	SA	1
19	3	WW5694	DC93-00097C	ASSY M. WIRE HARNESS; D100,SDC18809,AC230	SA	1
20	3	WI0392	DC63-01155A	COVER-SWITCH(M); SDC18809,GI-SGCC,T0.4,W4	SA	1
21	3	WY0114	DC67-00425A	FAN-(C); D100-DRYER,FRPP,OD100,GF15%	SA	1
22	3	WB5218	DC90-02991A	ASSY BASE-SUB; D100-PJT,SDC-18809	SA	1
22-1	4	WB0012	DC61-02478A	BASE; SDC18809,PP,W592,L521.2,NTR	SA	1
22-2	4		DC63-01088A	COVER-FAN(P); SDC18809,PP,W502,L137.7,NTR	SNA	1
23	3	WH0023	DC97-15757B	ASSY HOSE DRAIN; D100,SDC18809,SINGLE BUS	SA	1
23-1	4		DC61-02469A	BUSH-HOSE; SDC18809,TPE,ID9.6,OD15.5,L32,	SNA	2
23-2	4	WH5189	DC67-00424B	HOSE-DRAIN; SDC18809,PP,ID9.5,OD13,T0.4,L	SNA	1
24	3		DC67-00426A	FAN-(P); D100-DRYER,FRPP,OD139,GF15%	SA	1
25	3	WX0618	6021-001321	NUT-INCH; RIGHT TURN,3/8"-24,ZPC(BLK),SWC	SA	1

8. Small Parts

Exploded View



Parts List

No.	Lvl.	Loc.	Material Code	Description & Specification	SNA	Qty.
1	3	WI0293	DC61-40086A	HOLDER-WIRE; DAWH-3NB,PA,NTR(PI15)	SA	2
2	2	WI0293	DC61-40081A	HOLDER-WIRE; DAWH-2NC,PA,-,NATURAL,-	SA	8
3	2	WJ5055	DC65-00026A	CLAMPER HOSE-FIX; SDC18809,PP,BJ350,NTR	SA	1
4	3	WI0294	DC61-00553B	HOLDER-WIRE SADDLE; PA,NTR,NYLON66	SA	1
5	2	WJ0021	DC65-10001A	CABLE TIE; PVC	SNA	2